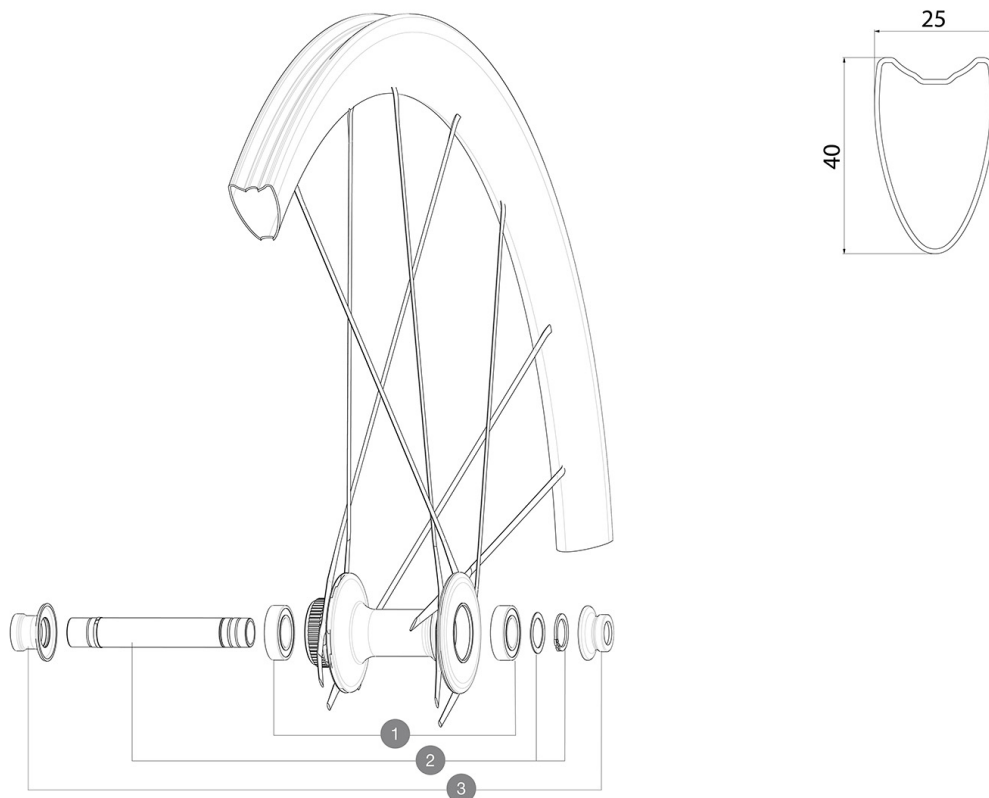


ASTM CATEGORY 1 : road only

For a longer longevity of the wheel, Mavic recommends that the total weight supported by the wheels doesn't exceed 120kg, bike included

Recommended tyre sizes: 23 to 32 mm

Max. Pressure: see indication on wheel and tyre. If they differ, use the lowest of the 2

**REFERENCES WHEELS****HUB SHELLS**

<b>1</b>	<b>M40129</b>	KIT 2 BEARINGS 6902 15x28x7
<b>2</b>	<b>V2373301</b>	KIT QRM AUTO FRONT AXLE 12mm > 2019
<b>3</b>	<b>V2374701</b>	KIT FRONT ROAD FORK REST 12mm FOR J BENT DISC HUB

## DELIVERED WITH

Computer magnet (105 416 01)	
Front QR adapters (996 941 01 for MTB or B41 043 01 for road)	
Rear QR adapters for Instant Drive 360 (B49 894 01)	
User guide	

## COMPATIBILITY

Freewheel: Shimano/Sram, convertible to Campagnolo and XD-R with optional driver bodies	
Front axle: 12x100 thru axle, easily convertible to quick release with included adapters. Not compatible with 15mm through axles.	
Rear axle: 12mm thru axle, convertible to Quick Release with included adapters	

## Specifications

### RIMS

- **Material** : 3K carbon fibers
- **Height** : 40 mm
- **Drilling** : no holes, spokes molded to the rim  
Disc brake specific profile
- **Valve hole diameter** : 6.5 mm
- **Tire** : tubular
- **ETRTO size** : 28" tubular

### SPOKES

- **Material** : unidirectional carbon fiber
- **Count** : 20 front and rear
- **Lacing** : front and rear crossed 2  
R2R

### WHEEL HUB

- **Front hub body** : Carbon
- **Front and rear bodies** : Carbon
- **Axle material** : aluminum
- **Front** : Quick release and 12x100 through axle compatible
- **Rear** : Quick Release, 12x142 and 12x135 compatible  
Infinity Hub  
Instant Drive 360  
QRM Auto

### VERSIONS

- **Color** : Black only
- **Disc standard** : Center Lock (R) only
- **Freewheel** : Shimano/Sram or XD-Road

### WHEEL WEIGHTS

565